



PARTS BREAKDOWN

2" HIGH-PRESSURE PUMP

MODEL: PA-WPH213

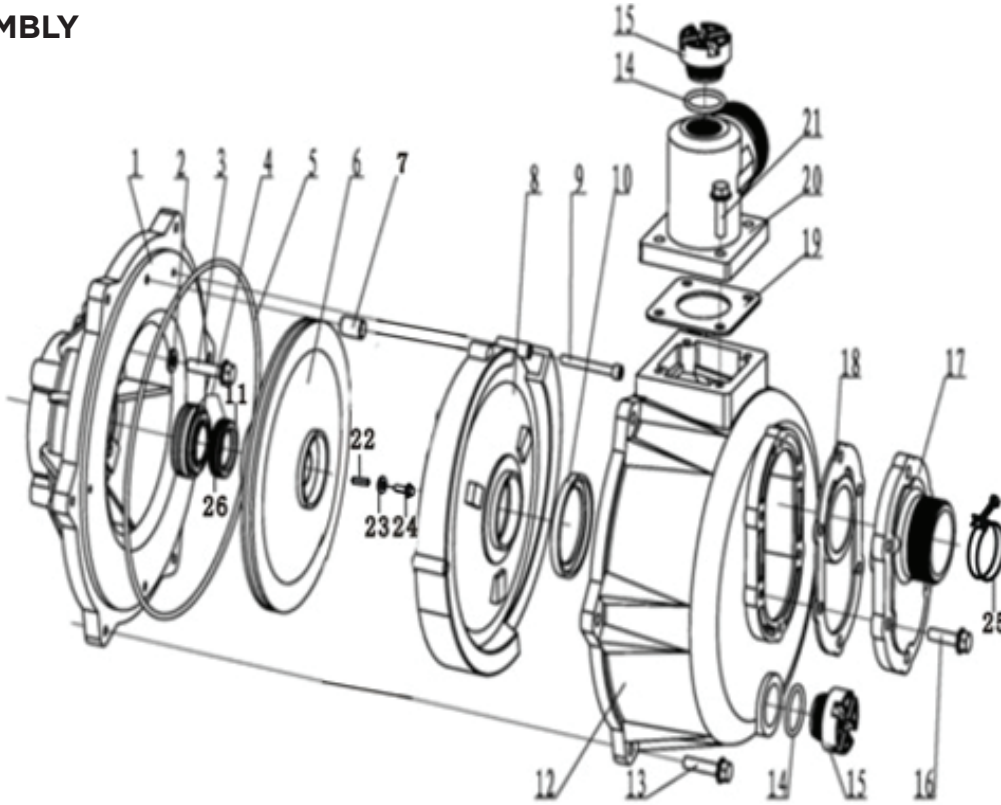




PARTS BREAKDOWN 2" HIGH-PRESSURE PUMP

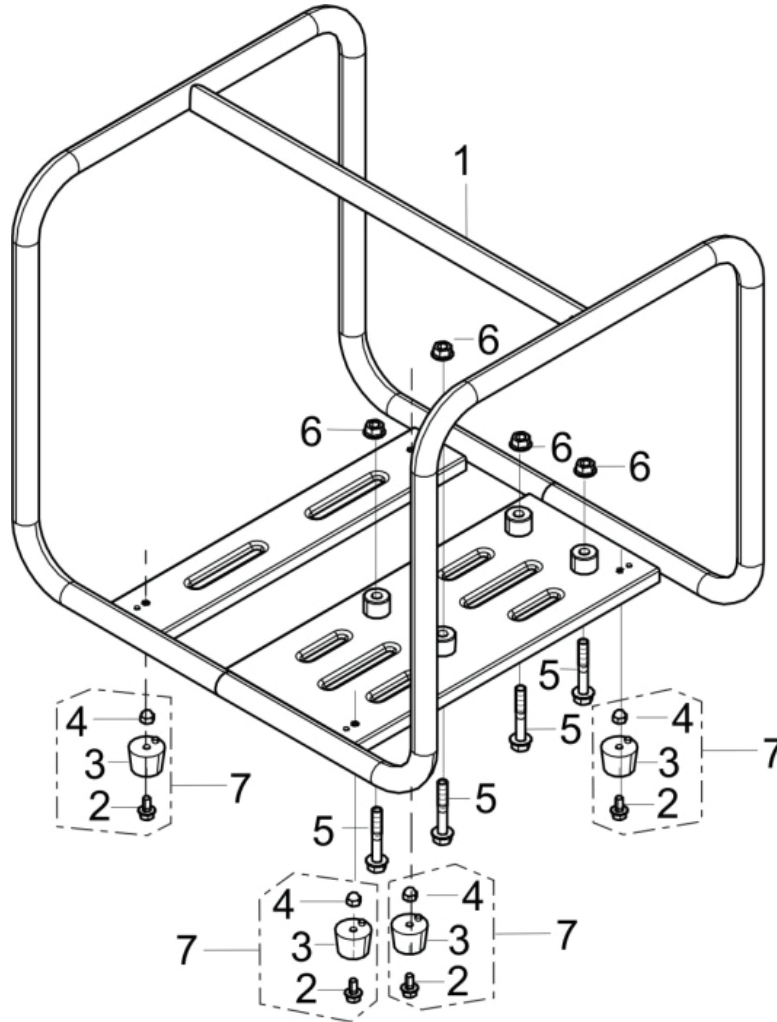
MODEL: PA-WPH213

PUMP ASSEMBLY 'RS' TYPE



REF #	DESCRIPTION	QTY	PART #
1	Water Pump Joint	1	PA-P50002280
4	Mechanism Seal Assembly	1	PA-P50002282
26	Porcelain Seal	1	
11	Impeller Seal Ring	1	
5	Cushion, Water Pump Joint	1	
10	Whorl Case Seal Ring	1	
18	Inlet Gasket	1	
19	Outlet Gasket	1	
6	Water Pump Impeller	1	PA-P50002281
12	Pump Body	1	PA-P50002283
14	Screw Plug Washer	2	PA-P50002263
15	Thread Plug	2	
17	Water Outlet	1	PA-P50002264
20	Water Inlet	1	
8	Whorl Case	1	PA-P50002284
**	Complete Pump and Frame Kit	1	PA-P85150206

FRAME ASSEMBLY



REF #	DESCRIPTION	QTY	PART #
2	Bolt	4	PA-P50002205
3	Engine Frame Shock Absorption Seat	4	
4	Acorn Nut	4	

***CHECK WITH HONDA FOR ENGINE BREAKDOWN AND PARTS**

patcon[®]

